

Junction Box for Self-Regulating Heating Cables to Power Connection

Junction box for self-regulating heating cables is designed for connection of self-regulating heating cables to power network. The junction box is used as a part of heat tracing systems for pipelines and vessels in non-hazardous areas. The junction box design ensures moisture and dust ingress protection IP66 and high corrosion stability. The junction box is

available with cable glands for connection of unarmored power and heating cables. The installed terminal blocks ensure fast and safe connection of multi-core or single-core conductors. Our boxes are available with screw clamp terminals as well as with push-in terminals.

Features

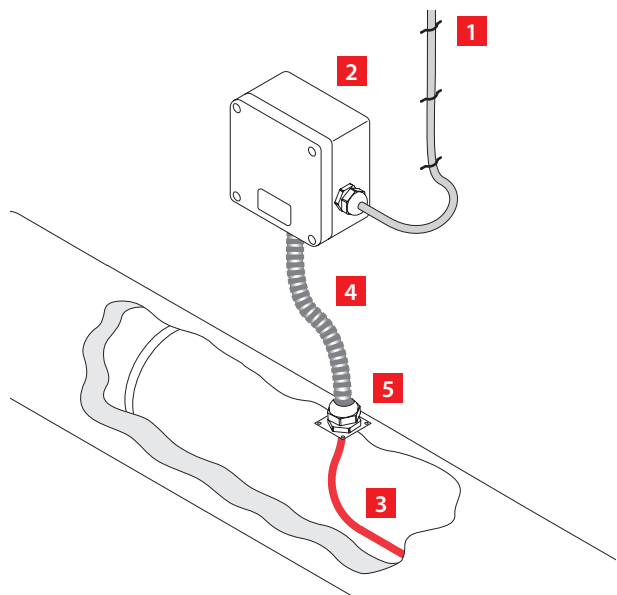
- Non-hazardous area solution
- All required component parts are included
- Quick and easy installation
- High thermal stability
- Non-corrosive

Application Areas

- Temperature maintenance or freeze protection of pipelines and vessels in non-hazardous and ex-hazardous areas



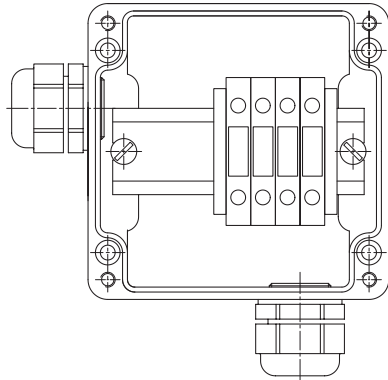
JB2212-223-2xxxx



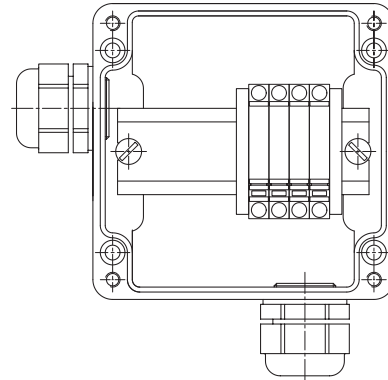
1. Power cable
2. JB2212-223-2xxxx junction box
3. Heating cable
4. Flexible sealed gland
5. Cable entry unit

Junction Boxes

Construction



JB2212-223-2xxxx box with screw clamp terminal block



JB2212-223-2xxxx box with push-in terminal block

Technical Data

Degree of protection	IP66
Ambient temperature range	-55...+55 °C
Operating voltage	max. 750 V
Operating current	max. 32 A
Enclosure dimensions	122×120×90 mm
Total weight (maximum)	1.1 kg
Box material	Glass fiber reinforced polyester
Color	Grey

Approvals



° Certification is underway

Types

Name	Order code
JB2212-223-21340	2210001600
JB2212-223-22340	2210001601
JB2212-223-21350	2210001602
JB2212-223-22350	2210001603
JB2212-223-21360	2210001604
JB2212-223-22360	2210001605
JB2212-223-21370	2210001606
JB2212-223-22370	2210001607

Application Types

Application	Terminals	Name
1 heating cable		
Power connection	screw, 1L, 1N, 2PE	JB2212-223-21340
2x M25 x 1,5	push-in, 1L, 1N, 2PE	JB2212-223-22340
Connection	screw, 1L, 1N, 2PE	JB2212-223-21350
1x M25 x 1,5	push-in, 1L, 1N, 2PE	JB2212-223-22350
1x M25x1,5 screw plug		
Application		
3 heating cable		
Power connection*	screw, 3L, 3N, 3PE	JB2212-223-21360
4x M25 x 1,5	push-in, 3L, 3N, 3PE	JB2212-223-22360
Connection*	screw, 3L, 3N, 3PE	JB2212-223-21370
1x M25 x 1,5	push-in, 3L, 3N, 3PE	JB2212-223-22370
3x M25x1,5 screw plug		

° With jumper L-L, N-N

Accessories (to be ordered separately)

Brackets PB, KP, PL.JB0606 – for mounting the box onto the pipeline.

Z-profile – for mounting the box onto a metal structure or onto a wall.

The heating cable termination kit is specified depending on the type of cable used. For ordering information see CLASSIC-CON units.

Flexible sealed gland FSG – for mechanical protection of cables in open space sets.

Cable entry unit LEK/U – for penetrating of thermal insulation.