

# Junction Boxes for Self-Regulating Heating Cables (3 and More Circuits)

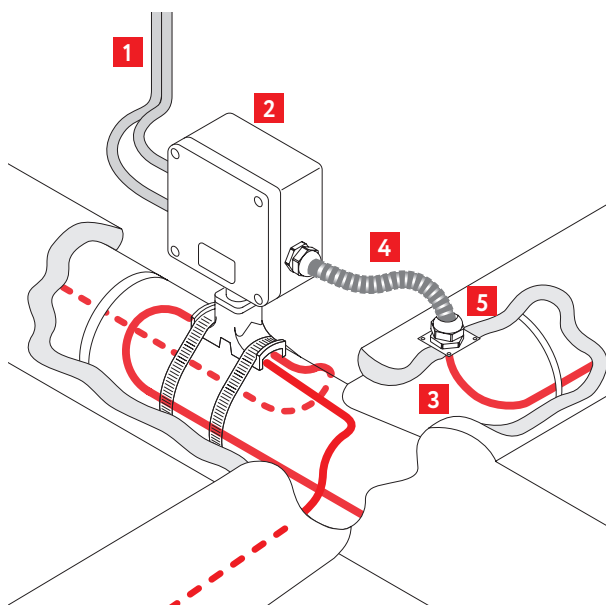
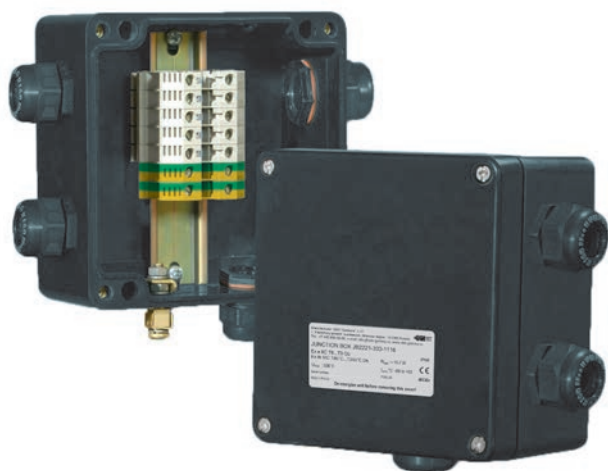
## Application

Junction boxes for 3 and more self-regulating heating cables connection are designed for connecting of self-regulating electrical heating cables to the power

network\* and for the branching of self-regulating heating cables. The box also supports branching of the power cable in utility networks.

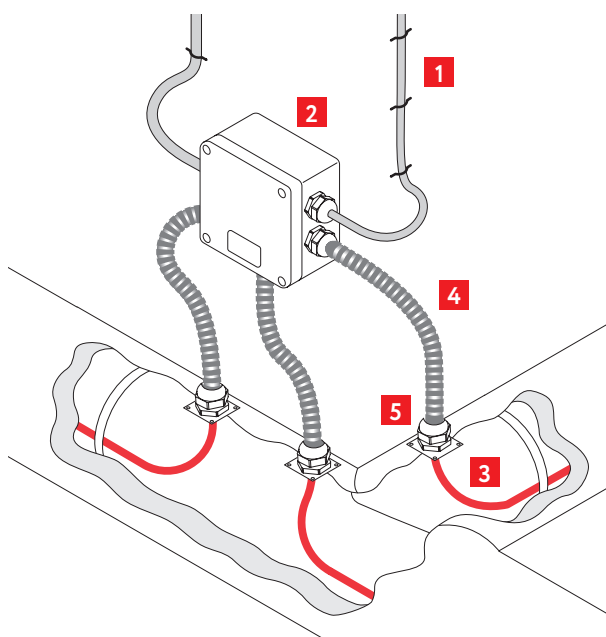
Boxes' models are supplied in 2 installation variants:

- complete with a pipe installation support stand UVK for direct mounting onto the surface of a pipeline or tank;
- for installation onto a wall, onto a nearby metal structure or using a bracket directly onto the pipeline (brackets supplied separately).



1. Power cable
2. Junction box
3. Heating cable

4. Flexible sealed gland
5. Cable entry unit



1. Power cable
2. Junction box
3. Heating cable

4. Flexible sealed gland
5. Cable entry unit

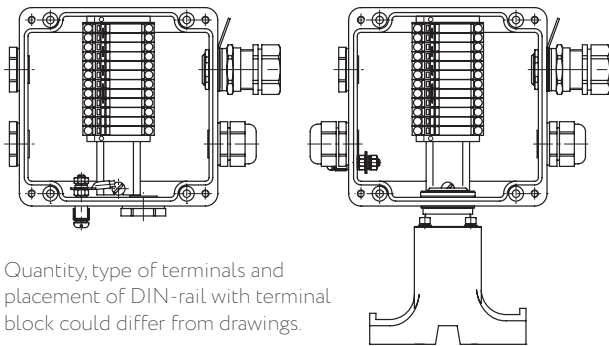
\* This junction box is compatible with self-regulating heating cables HTM, HTA, HTP, BTC, BTX, CTE.

# Power Supply of Self-Regulating Heating Cables

## Technical Data

Dust and moisture protection rating	IP66
Explosion protection marking	Ex eb IIC T6...T3 Gb Ex tb IIIC T85°C... T165°C Db
Temperature group of the explosion hazard area	T6
Operating ambient temperature range	-60...+55 °C
Operating voltage	max 550 V
Operating current	max 50 A
Enclosure dimensions	160×160×94.5 mm
Total weight (maximum)	2.76 kg
Material Box / Color	Glass fiber reinforced
Material Pipe installation support / Color	polyester / Black

## Construction



Quantity, type of terminals and placement of DIN-rail with terminal block could differ from drawings.

## Accessories (to be ordered separately)

Connection kit for self-regulating heating cables is specified depending on the type of cable used.

Brackets PB, KP, PL.JB0606 – for mounting the box onto the pipeline.

Z-profile – for mounting the box onto a metal structure or onto a wall.

Metal pipe strap PFS/3 – for mounting the bracket onto the pipeline.

Flexible sealed gland FSG – for mechanical protection of cables in open space sets.

Cable entry unit LEK/U – for penetrating of thermal insulation.

## Approvals



Nº IECEx CCVE 18.0006X

\* Certification is underway

## Delivery Set

Model	Cable glands and plugs (P=plastic; B=brass)								Earthing tag	Terminated earthing wire	Pipe installation support	Terminal block	Type of terminals	Order code
	Side A		Side B		Side C		Side D							
	Cable gland	Screw plug	Cable gland	Screw plug	Cable gland	Screw plug	Cable gland	Screw plug						
JB221-333-1X11					1xM25 B			3xM25 P	V	V	V			3210002100
JB221-333-1X12					1xM25 B		1xM25 B	2xM25 P	V	V	V			3210002101
JB221-333-1X13					1xM25 B		1xM25 P	2xM25 P	V	V	V			3210002102
JB221-333-1X14					1xM25 B		2xM25 B	1xM25 P	V	V	V			3210002103
JB221-333-1X15					1xM25 B		2xM25 P	1xM25 P	V	V	V			3210002104
JB221-333-1X16					1xM25 P			3xM25 P	V	V	V			3210002105
JB221-333-1X17					1xM25 P		1xM25 P	2xM25 P	V	V	V			3210002106
JB221-333-1X18					1xM25 P		2xM25 P	1xM25 P	V	V	V			3210002107
JB221-333-1X19					1xM25 B		1xM25 P	1xM25 B	1xM25 P	V	V	V		3210002108
JB221-333-2X11				1xM25 P	1xM25 B	1xM25 P	1xM25 P	1xM25 P	V	V				3210002109
JB221-333-2X12				1xM25 P	1xM25 B	1xM25 P	1xM25 B	1xM25 P	V	V				3210002110
JB221-333-2X13				1xM25 P	1xM25 B	1xM25 P	2xM25 B		V	V		3L, 2N, 2PE/ 6L, 3N, 3PE	screw/ push-in	3210002111
JB221-333-2X14				1xM25 P	1xM25 B	1xM25 P	2xM25 P		V	V				3210002112
JB221-333-2X15				1xM25 P	2xM25 B		2xM25 B		V	V				3210002113
JB221-333-2X16				1xM25 P	1xM25 B		2xM25 B		V	V				3210002114
JB221-333-2X17				1xM25 P	1xM25 P	1xM25 P	1xM25 P	1xM25 P	V	V				3210002115
JB221-333-2X18				1xM25 P	1xM25 P	1xM25 P	2xM25 P		V	V				3210002116
JB221-333-2X19				1xM25 P	2xM25 P		2xM25 P		V	V				3210002117
JB221-333-2X20				1xM25 P	2xM25 B		1xM25 P	1xM25 P	V	V				3210002118
JB221-333-2X21				1xM25 P	1xM25 B	1xM25 P	1xM25 B	1xM25 P	V	V				3210002119
JB221-333-2X22			1xM25 P		1xM25 B	1xM25 P	1xM25 B	1xM25 P	V	V				3210002120
JB221-333-2X23			1xM25 P		2xM25 P		2xM25 P		V	V				3210002121

Order codes are valid for junction boxes with push-in terminal block.

Additional junction box configurations are available upon request.

\* X = 1 for screw type terminal block; X=2 for push-in type terminal block